

## Z-015 Additional requirements Goliat

### ELECTRICAL

Power	Volt	Frequency	Phase currency	Neutral loaded	System earth	Distribution protection		Connection platform/rig	Connection temporary equipment	Comments
System	[V]	[Hz]	[A]	Yes/No	[S/I/R]*	Fuse [A]	Earth fault [mA]	Description/ type	Description/ type	
Main Power	230	50	16	Yes	S	2P/16A	30mA	CEAG 16A 3-pin Wall socket GHG 511 4306 R3005	CEAG 16A 3-pin Plug GHG 511 7306 R0001	Hazardous areas Outdoor areas Shafts
Main Power	400	50	16	Yes	S	4P/16A	30mA	CEAG 16A 5-pin Wall socket GHG 511 4506 R3006	CEAG 16A 5-pin Plug GHG 511 7506 R0001	Hazardous areas Laydown areas Various utility areas
Main Power	400	50	63	Yes	S	4P/63A	30mA	CEAG 63A 5-pin Wall socket GHG 514 4506 R3001	CEAG 63A 5-pin Plug GHG 514 7506 R0001	Hazardous areas Laydown areas Various utility areas
Main Power	400	50	125	Yes	S	4P/125A	30mA	CEAG 125A 5-pin Wall socket GHG 515 4506 R3001	CEAG 125A 5-pin Plug GHG 515 7506 R0001	Hazardous areas Laydown areas
Main Power	690	50	63	Yes	R	3P/63A	30mA	CEAG 63A 4-pin Wall socket GHG 514 4405 R3002	CEAG 63A 4-pin Plug GHG 514 7405 R0001	Hazardous areas Laydown areas
Main Power	690	50	162	Yes	R	162A	30mA	Junction Box	NA	@ EL. 44.000
Cold start gen. Not available for normal use	690	50	16	Yes	R	3P/16A	30mA	CEAG 16A 4-pin Wall socket GHG 511 4405 R0001	CEAG 16A 4-pin Plug GHG 511 7405 R0001	Various locations for heating and ventilation purposes Not for vendors

\*S= Solidly (Direktejordet)  
I= Isolated (Isolert)  
R= Resistor (Resistansjordet)

### INSTRUMENT

Function	Signal type	Connection platform/rig	Connection temporary equipment	Comments
		Description/ type	Description/ type	
Loss of pressure	NDE	Cooper Crouse-Hinds CEAG 21 pin wall socket / GHG 511 4906 R3001	Cooper Crouse-Hinds CEAG 21 pin plug / GHG 591 2201 R0002	Common socket/plug for loss of pressure, fire, gas and fault
Fire	NDE	Cooper Crouse-Hinds CEAG 21 pin wall socket / GHG 511 4906 R3001	Cooper Crouse-Hinds CEAG 21 pin plug / GHG 591 2201 R0002	Common socket/plug for loss of pressure, fire, gas and fault
Gas	NDE	Cooper Crouse-Hinds CEAG 21 pin wall socket / GHG 511 4906 R3001	Cooper Crouse-Hinds CEAG 21 pin plug / GHG 591 2201 R0002	Common socket/plug for loss of pressure, fire, gas and fault
Common fault	NE	Cooper Crouse-Hinds CEAG 21 pin wall socket / GHG 511 4906 R3001	Cooper Crouse-Hinds CEAG 21 pin plug / GHG 591 2201 R0002	Common socket/plug for loss of pressure, fire, gas and fault
ESD	PFC, NC, NE	Cooper Crouse-Hinds CEAG 4 pin wall socket / GHG 511 4407 R3001	Cooper Crouse-Hinds CEAG 4 pin plug / GHG 511 7407 R0001	ESD 2.4 from platform activated upon single gas detection, group 1 isolation

#### Note:

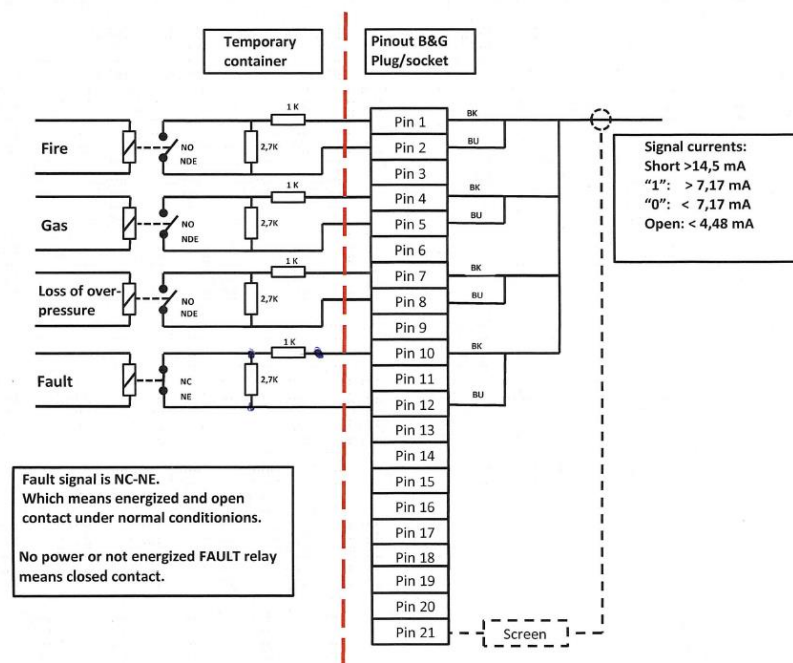
Det skal mellom det midlertidige utstyrets potensialfrie signaler og 21-pin plugg monteres fire (4) type ABB RU8 motstander. Dette gjelder også for signaler som ikke er i bruk. Plattform er satt opp til å motta fire (4) signaler og vil gi feil dersom en funksjon/et par ikke gir riktig motstandsverdi for linjeovervåking og identifikasjon av feil i henhold til skjema nedenfor.

Four (4) ABB RU8 resistor units shall be installed between the interface signals in the unit/frame and the 21-pin plug, including signals that will not be used. The platform setup is expected to receive these four (4) potential free contact signal and with corresponding resistance for line monitoring and identification of failures as per the sketch below.

#### ABB RU8 (ABB Product ID 3BSC550211R1)

RU8 er en resistanskrets med to metallfilm resistanser, en 1,0kΩ og en 2,7kΩ sammenkoblet med tre ledere, rød (RD), sort (BK) og blå (BU) som er isolerte med krympestrømpe. Komponenten skal monteres nær de potensialfrie kontaktene tilhørende feltutstyret og ikke i pluggen.

RU8 is a resistor network with two metal film resistors, one 1,0kΩ and one 2,7kΩ connected together with three wires, Red (RD), Black (BK) and Blue (BU) and isolated with heat-shrinkable tubing. This component shall be mounded nearby the field instrument potential free contacts.

**21 Pins connector for instrument signals:**

**Note ESD:**

Signal for utkobling av gruppe 1 tennkilder i midlertidig utstyr skal kobles opp mot plattformens ESD system. I fire pins plugg skal pinne 1 og 2 benyttes. Ved normal tilstand vil en ha en lukket kontakt inn mot plattformens ESD system på pinne 1 og 2. Ved detektert gass vil en ha en åpen kontakt mot plattformens ESD system på pinne 1 og 2. ESD systemet er utstyrt med grensesnitt relè av typen GM D5090S og signal som skal kobles opp mot dette releet må ikke overskride verdier som er oppgitt i relè datablad, se link nedenfor.

Signal for isolation of ignition source group 1 to temporary equipment shall be provided by ESD system. Signal for isolation will be provided by pin 1 and 2 in 4 pin socket interfacing ESD system. During normal condition, pin 1 and 2 will provide a closed contact. During gas detection, pin 1 and 2 will provide an open contact. Interface relays provided by ESD system for these signals are of type GM D5090S and signal interfacing ESD system shall not exceed values given by relay datasheet, se link below.

[Link to GM D5090S product information](https://www.gminternational.com/?pid=D5090S-086)  
<https://www.gminternational.com/?pid=D5090S-086>

**TELECOM**

Function	Signal type	Connection platform/rig	Connection temporary equipment	Comments
		Description/ type	Description/ type	
PAGA	NA	Cooper Crouse-Hinds CEAG 5 pin wall socket / GHG 511 4506 R3001	Cooper Crouse-Hinds CEAG 5 pin plug / GHG 511 7506 R0001	Dwg: 229A-HHI-ET301-T-XD-4107-01
Telephone PABX	NA	Cooper Crouse-Hinds CEAG 4 pin wall socket / GHG 511 4409 R3001	Cooper Crouse-Hinds CEAG 4 pin plug / GHG 511 7409 R0001	Dwg: 229A-HHI-ET301-T-XD-4116-01
CCTV	NA			
Data	NA			

**Overview of Utility stations / Racks:**

Area:            Elevation:        Dwg ref.:            Number of socket outlets:

*TO BE ADDED*

**UTILITIES**

Function	Pressure	Amount/Flow	Connection	Comments
	[BAR]	Max capacity	Description/ Type/Diameter	
Service air			1" CLAW COUPLING	
Nitrogen			1" male NPT	
Sprinkler	NA			
Seawater	NA			
Hotwater HP			HP Pistol on site	
Freshwater			Cam-lock 1"	